

- 9) Remove the spring clip and plastic washer holding the square shaft on the left end plate. Hold the body while removing the last screw. Do the same for the traverse extrusion.
- 10) With the left end plate removed, lift the traverse extrusion up, and slide the pinch wheels off of the machine. *See Fig. 7*

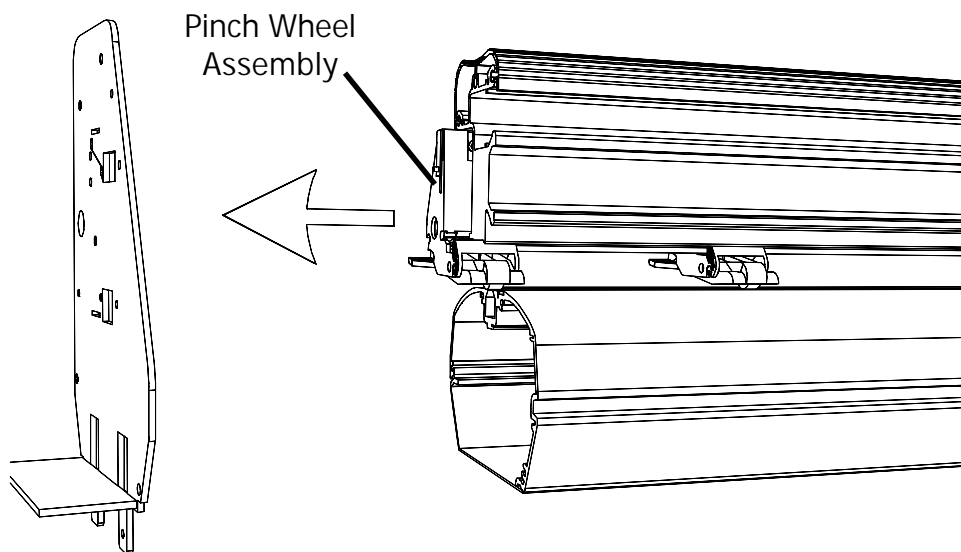


Fig. 7 - Left end plate removed

Step: 2 - Replacing the wheel on the pinch wheel assembly

- 1) With a small flat head screwdriver, push the wheel pin out of the pinch wheel assembly. *See Fig. 8*

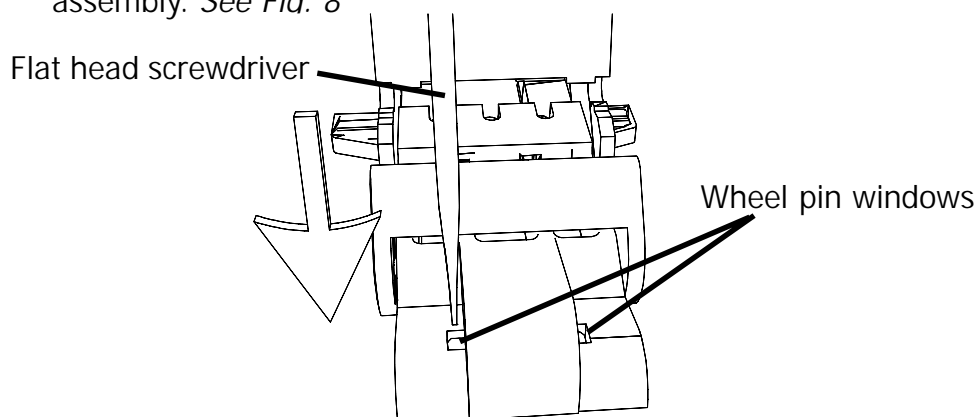
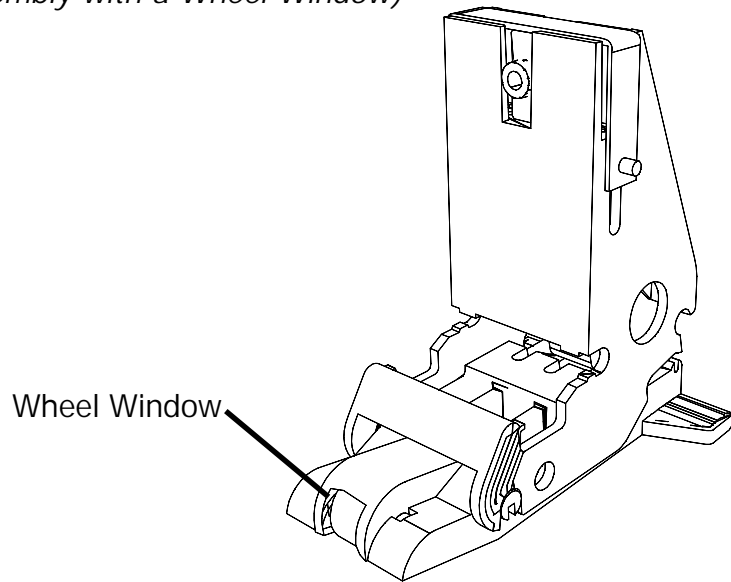


Fig. 8 - Removing the wheel pin with a flat head screwdriver.

Procedure for: **Smartrac Signcutter wheel replacement**
(Assembly with a Wheel Window)



Tools Needed:
Small flat head screwdriver

Step: 1 - Removing the wheel from the pinch wheel assembly.

- 1) Since you don't have to remove the pinch wheel assembly from the machine, this type of wheel replacement is a snap. Start by putting the small flat head screwdriver between the top of the wheel, and the body of the assembly. This space is the "Wheel Window". See Fig. 11

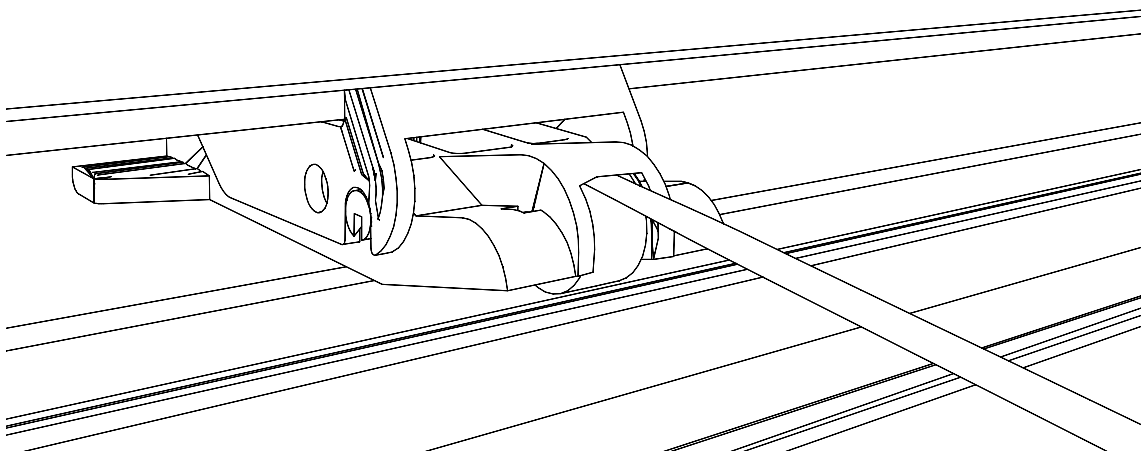


Fig. 11 - Placement of the flat head screwdriver on the wheel for removal.

- 2) Push down on the screwdriver handle to pop the wheel out from the pinch wheel assembly. You will have to push down on the back "Wings" of the pinch wheel assembly to raise the wheel housing high enough to pop the wheel out. See Fig 12.

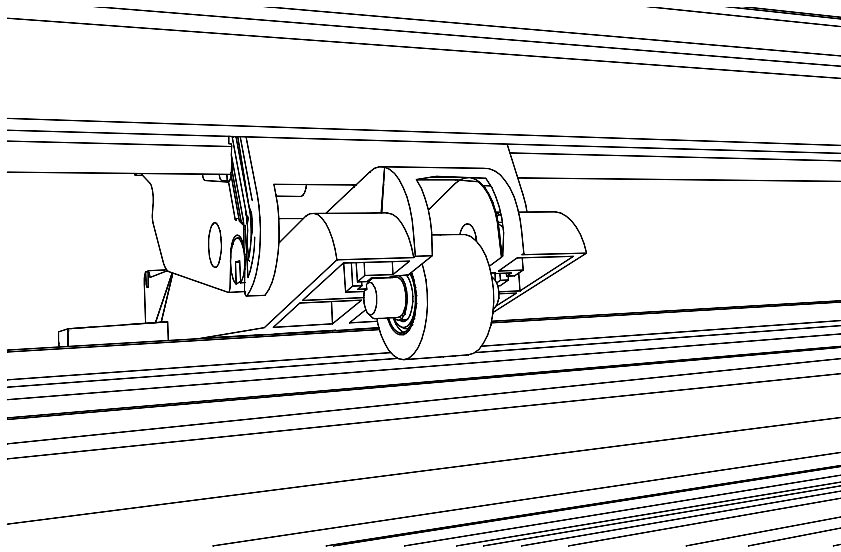


Fig. 12 - Removing the wheel from the assembly

- 3) Once the wheel and pin are out, remove the wheel and replace with the new one. Make sure you put the washers on either side of the wheel before re-inserting. See Fig. 13

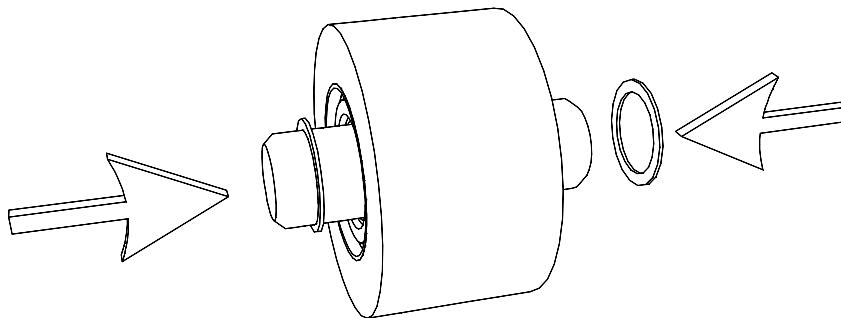


Fig. 13 - Make sure you put the washers on before installing.

- 3) Raise the wheel housing again, and place the wheel into place. Snap the wheel, pin, and washers into the pinch wheel assembly. *See Fig 14.*

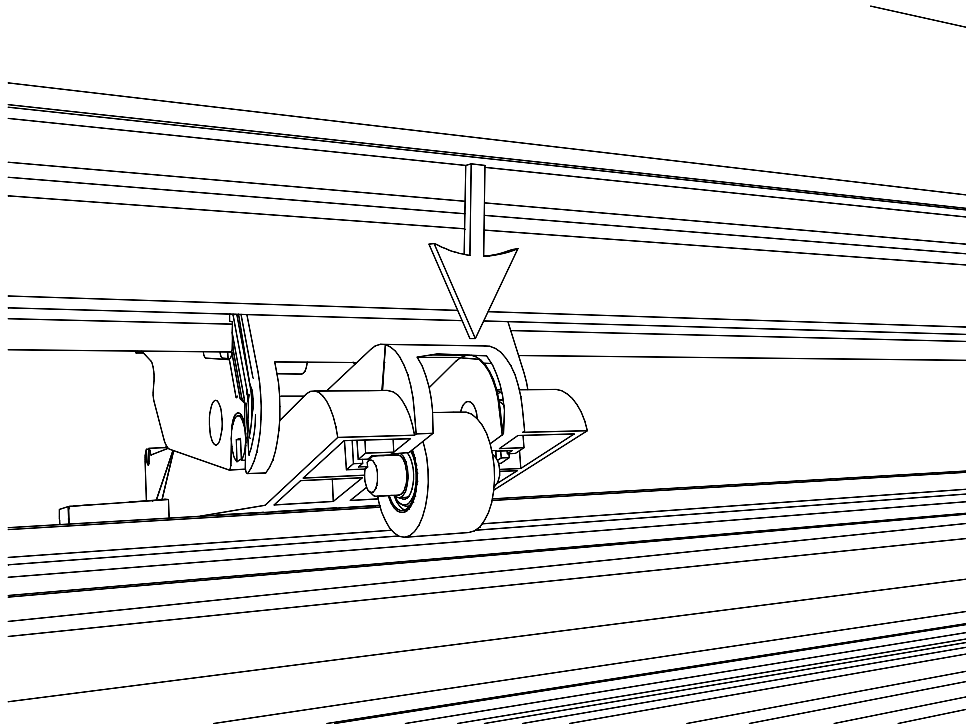


Fig. 14 - Snap the wheel in place.

- 4) Re-install the pinch wheel assembly back onto the machine by following the removal instruction in reverse order. If problems should arise contact Ioline Tech Support.

Ioline Tech Support
(425) 398-8282
Monday-Friday
7:00am to 5:00pm (Pacific)