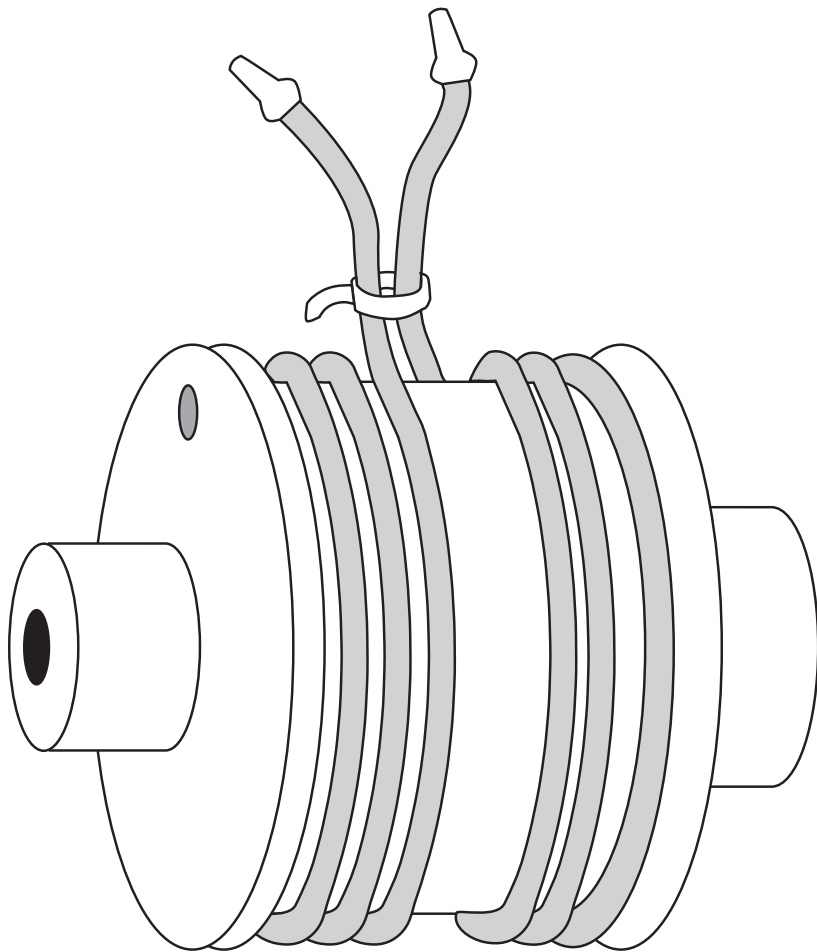
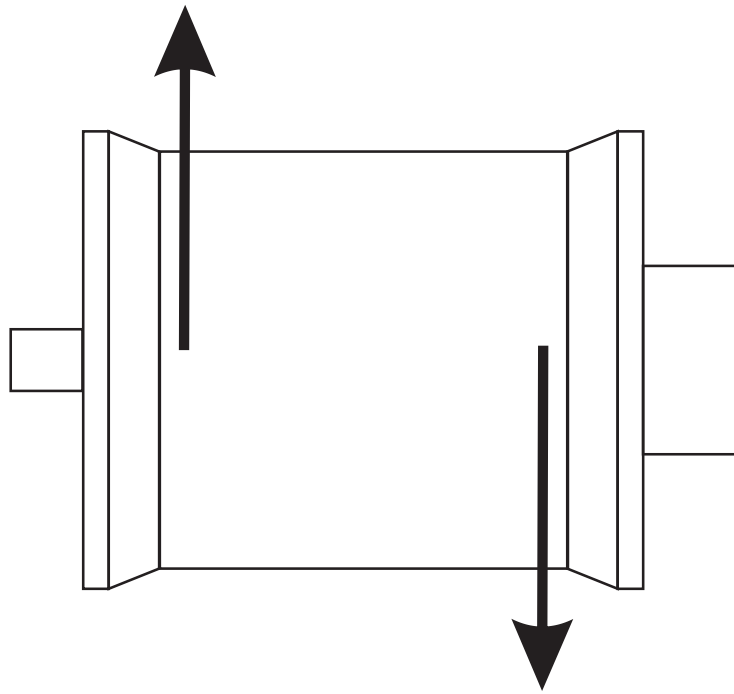


Take note of the direction the cables are wrapped.



Wrap the cables around the hub 3 times. On the 3rd wrap hold the two cables together with a tyrap to keep them from unravelling.