

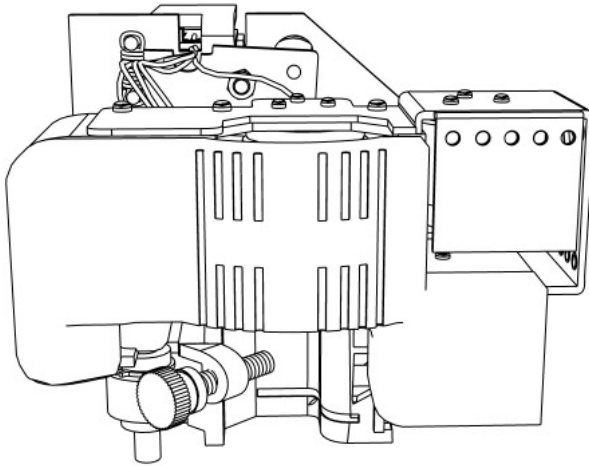
14140 NE 200th ST. • Woodinville, WA. 98072 • PH: (425) 398-8282 • FX: (425) 398-8383

Procedure: 300 System Removable tray "Ruler" placement

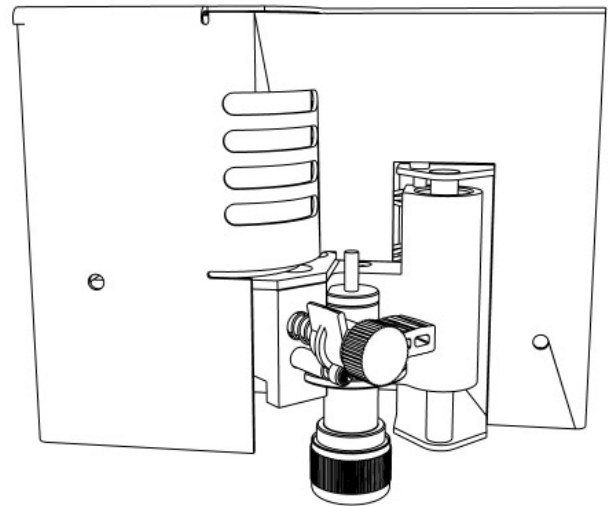
1 Determine what carriage is mounted on the Ioline 300

There are two types of carriage assemblies the 300 System can have. See the drawings below first to determine which one you have.

Style #1



Style #2



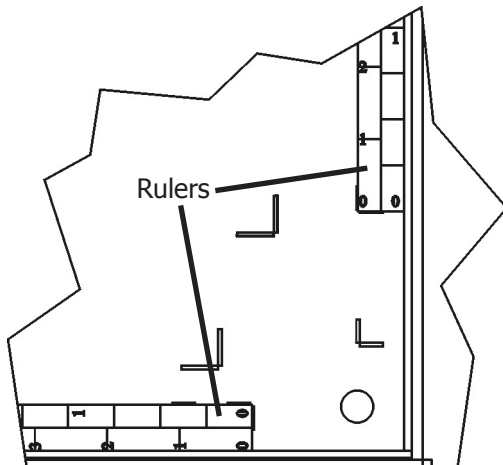
2 If you have the style #2 carriage.

If you have the *style #2* carriage assembly, the tray is setup for this carriage.

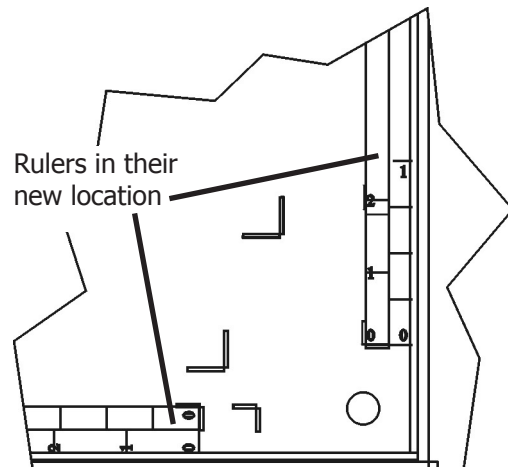
3 If you have the style #1 carriage.

If you have the *style #1* carriage, follow the instructions below.

- 1) Remove the rulers from the removable tray.
- 2) Place the new rulers at the locations shown below on the right.



This is the way the tray comes (Style #2 carriage)



Change the rulers like this for the style #1 carriage